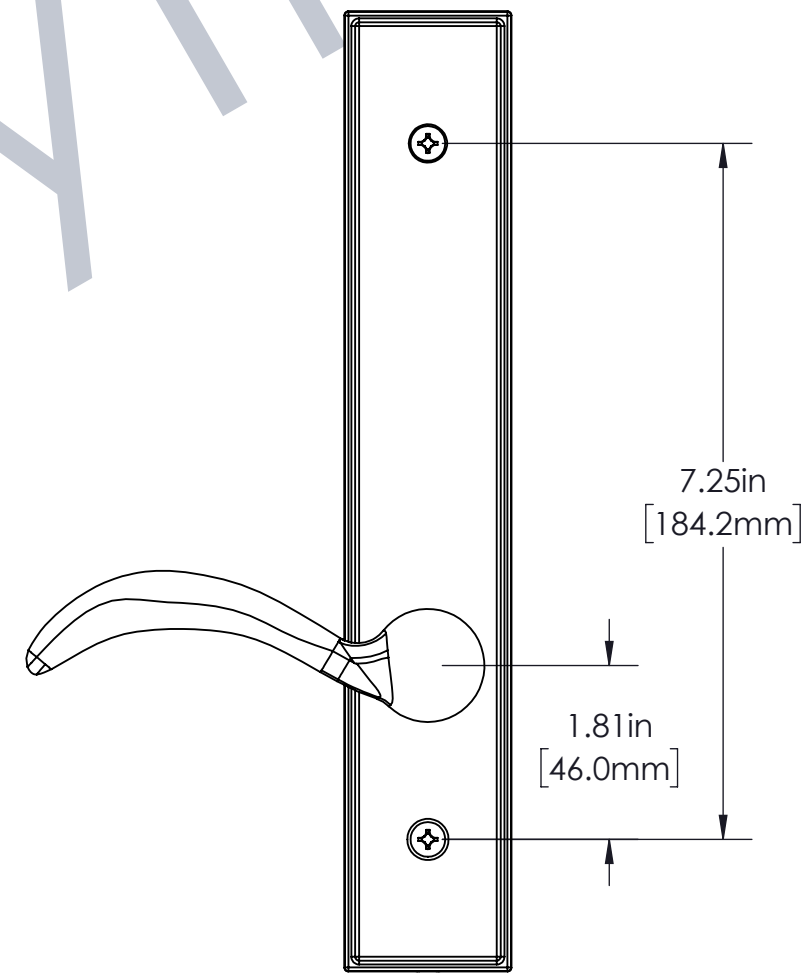
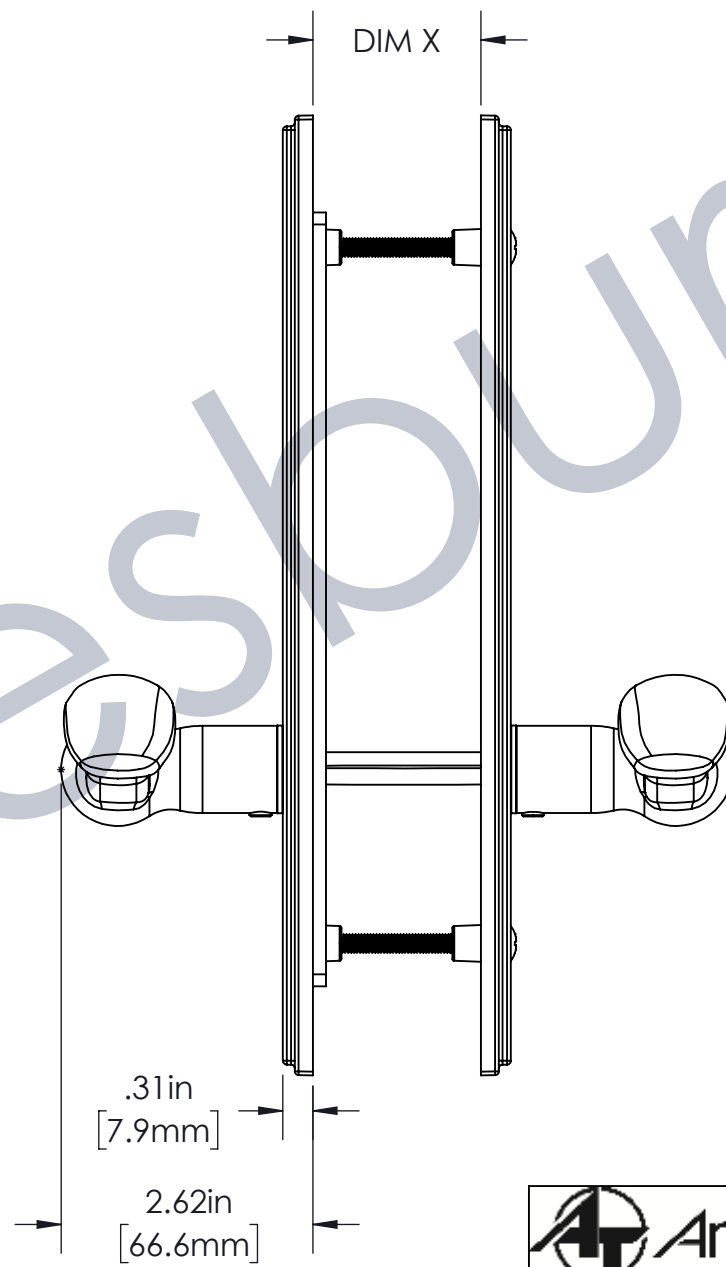
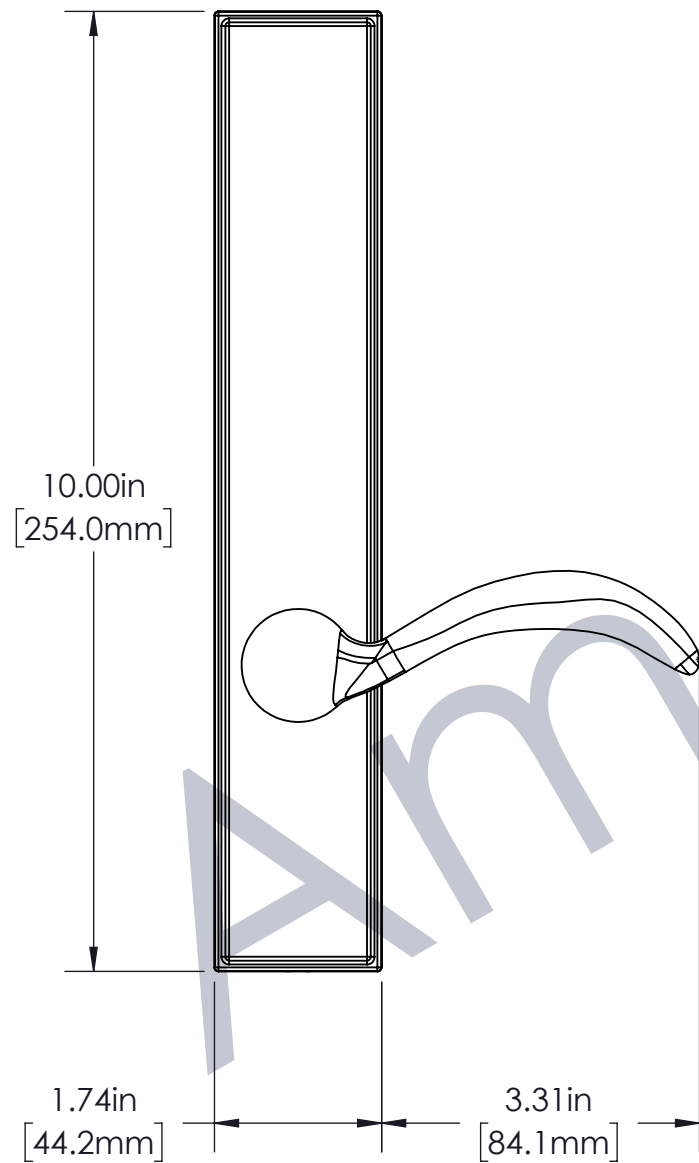


TRIMSET	DESCRIPTION	DIM X
W5210R-P0100	STANDARD	1.7"
W5210R-P0200	STANDARD	2.0"



CUSTOMER PAGE

<p>Amesbury Truth Engineered Solutions. Trusted Results.</p>	<p>INTERPRET PER: ASME Y14.5M-2009 UNITS: INCH</p>	<p>DRAWING TITLE: FORGINGS PASSIVE HANDLE SET</p>		
	<p>THIRD ANGLE PROJECTION</p>	<p>SCALE: 1:2</p>	<p>SHEET 1 OF 1</p>	
<p>THE INFORMATION CONTAINED IN THIS DRAWING IS CONFIDENTIAL AND PROPRIETARY. THIS DRAWING IS NOT TO BE COPIED OR REPRODUCED IN WHOLE OR IN PART WITHOUT EXPRESS WRITTEN PERMISSION.</p>		<p>DRAWING #: W5210R-P</p>		